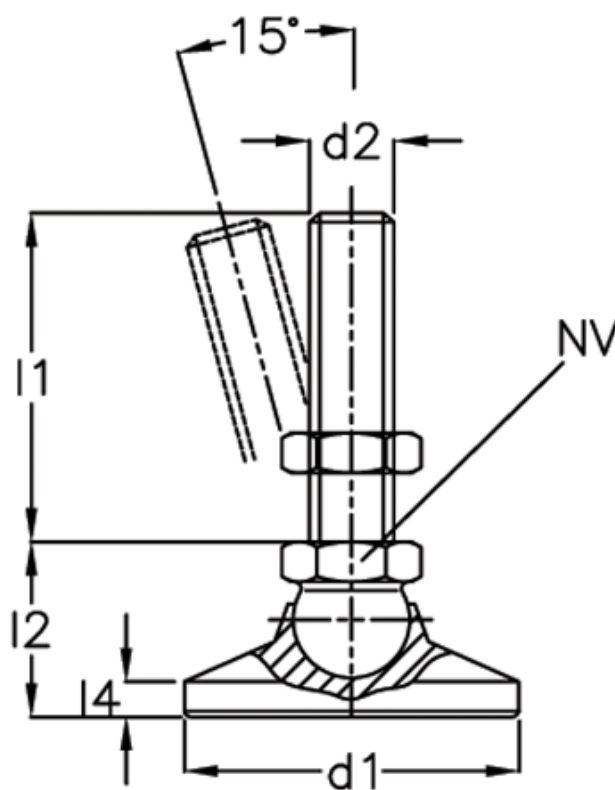


Article number: 20343640M1063KR

Description: E+G levelling foot  
GN 343.6-40-M10-63-KR

## Measures



|                 |       |
|-----------------|-------|
| A/F             | = 15  |
| d1              | = 40  |
| d2              | = 10  |
| l1              | = 63  |
| l2              | = -   |
| l4              | = -   |
| Static load (N) | = 20  |
| Weight in (g)   | = 165 |